



BUY WHOLESALE

# CABINETS



*Luxury*  
MADE AFFORDABLE



Member  
**NKBA**  
National Kitchen & Bath Association



# Cabinet Construction

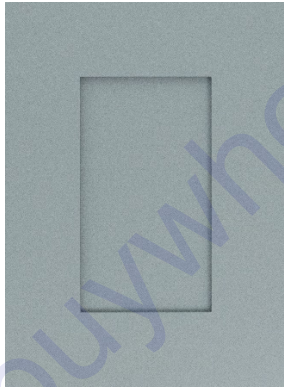


- ① Full overlay panel,  $\frac{3}{4}$  inch thick solid wood
- ② 6-way adjustable European-style hinge with soft-close feature
- ③ Shelving is  $\frac{3}{4}$  inch thick cabinet-grade plywood with front edge banding
- ④ Dovetail drawers with solid wood on all sides, full extension
- ⑤ Under-mount full extension drawer glides with soft-close feature
- ⑥  $\frac{1}{2}$  inch cabinet-grade plywood box, UV coated natural plywood on interior
- ⑦ Bracket reinforcements for base cabinet
- ⑧ Double-doweled face frame joint
- ⑨ Hardwood face frame
- ⑩ Door bumpers

## Door Styles



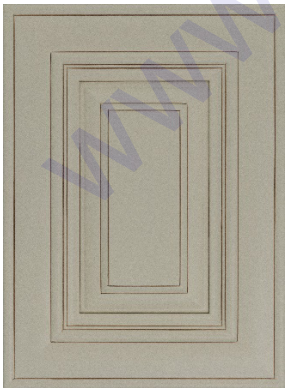
**SW**  
Shaker White



**GR**  
Shaker Gray



**SE**  
Shaker Espresso



**CW**  
Charleston White

# Table of Contents

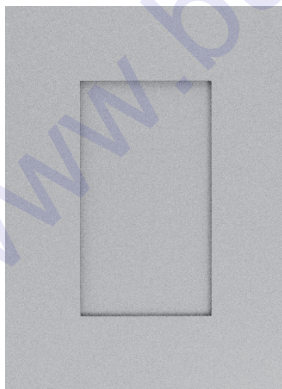
Wall Cabinets .....	4 - 10
Base Cabinets .....	11 - 14
Pantries .....	15 - 16
Vanities .....	17 - 18
Moulding.....	19 - 20
Filler & Panels.....	21 - 22
Accessories .....	23 - 24

## How to Order

### To order:

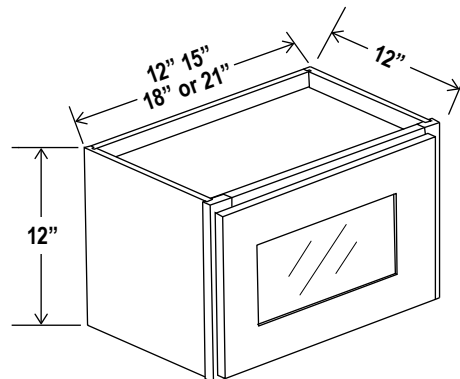
Specify the 2-letter door style (*shown on the inside front cover of this book*), followed by the product number for the cabinet.

*Example:* **GR-W1812GD** would be the product number to use to order a Shaker Gray (**GR**) Wall Cabinet, 12" high, 18" wide and 12" deep with a Single Glass Door (*shown on page 3*) (**W1812GD**).



**GR**  
Shaker Gray

### Wall Cabinet Single Glass Doors, 12"H



*Clear glass included*

W1212GD

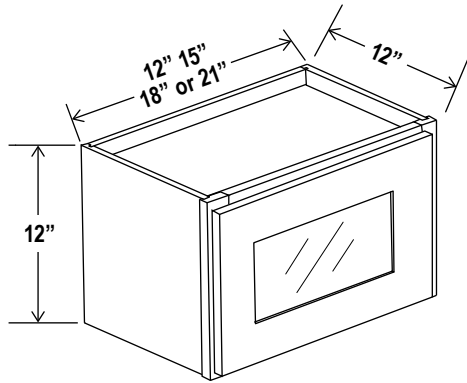
W1512GD

**W1812GD**

W2112GD

# Wall Cabinet Specifications

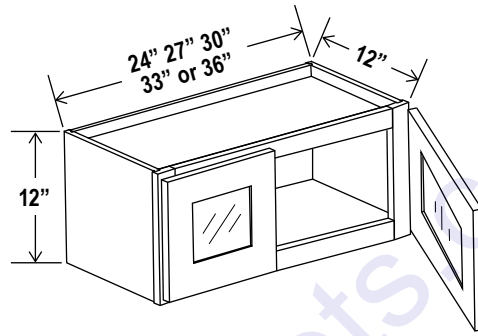
## Wall Cabinet Single Glass Doors, 12" H



W1212GD  
W1512GD  
W1812GD  
W2112GD

Clear glass included

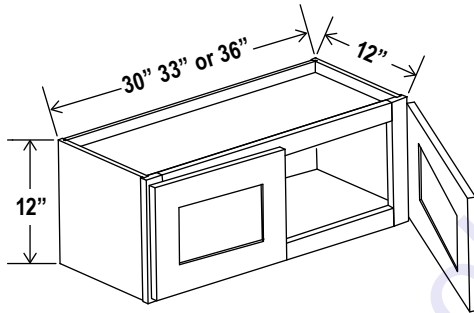
## Wall Cabinet Double Glass Doors, 12" H



W2412GD  
W2712GD  
W3012GD  
W3312GD  
W3612GD

Clear glass included

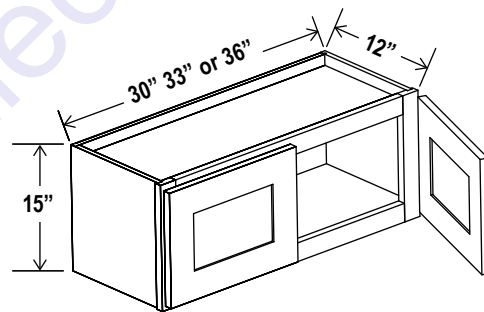
## Wall Cabinet Double Doors, 12" H



W3012  
W3312  
W3612

No shelf

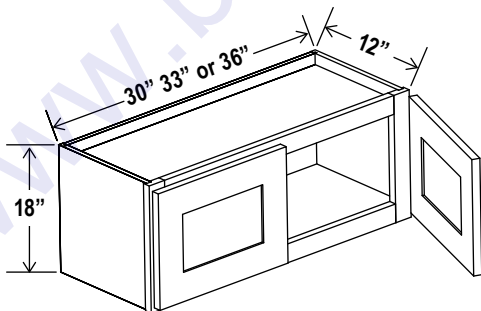
## Wall Cabinet Double Doors, 15" H



W3015  
W3315  
W3615

No shelf

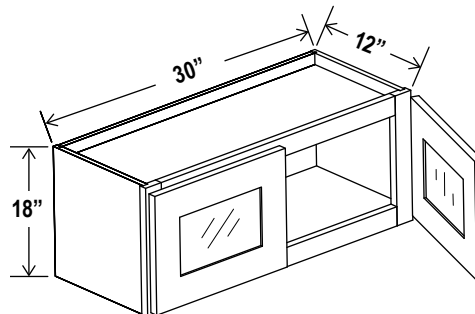
## Wall Cabinet Double Doors, 18" H



W3018  
W3318  
W3618

No shelf

## Wall Cabinet Double Glass Doors, 18" H



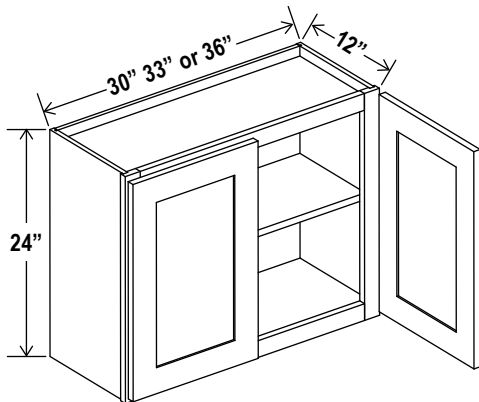
W3018GD

Clear glass included

# Wall Cabinet Specifications

Wall Cabinets

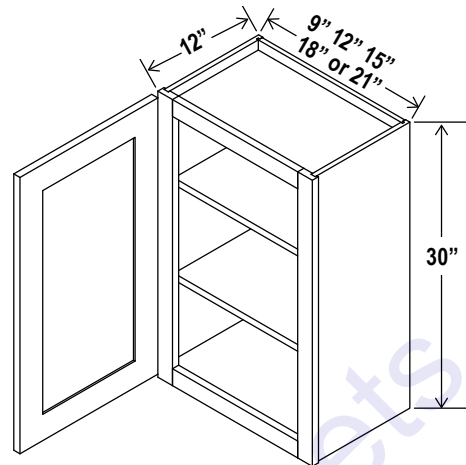
## Wall Cabinet Double Doors, 24" H



W3024  
W3324  
W3624

One adjustable shelf

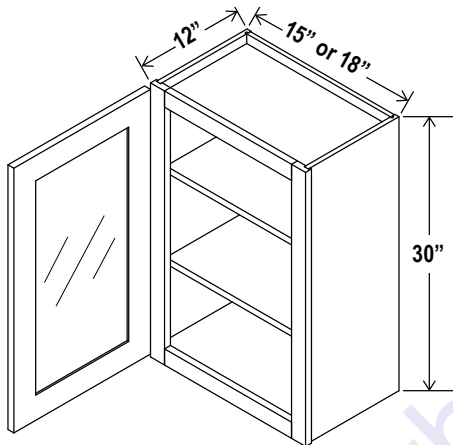
## Wall Cabinet Single Door, 30" H



W0930  
W1230  
W1530  
W1830  
W2130

Two adjustable shelves

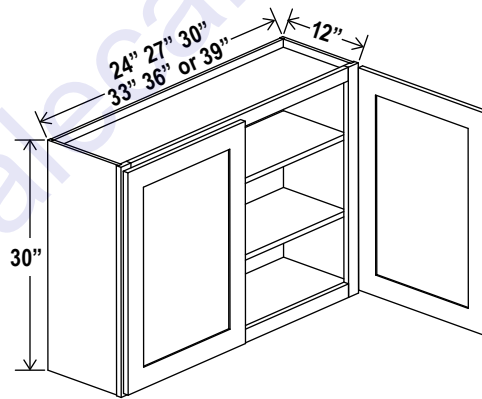
## Wall Cabinet Single Glass Door, 30" H



W1530GD  
W1830GD

Clear glass included

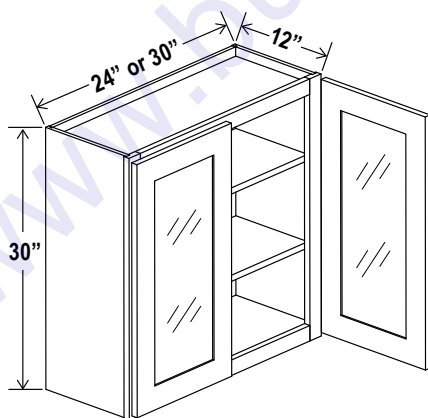
## Wall Cabinet Double Doors, 30" H



W2430  
W2730  
W3030  
W3330  
W3630  
W3930

Two adjustable shelves

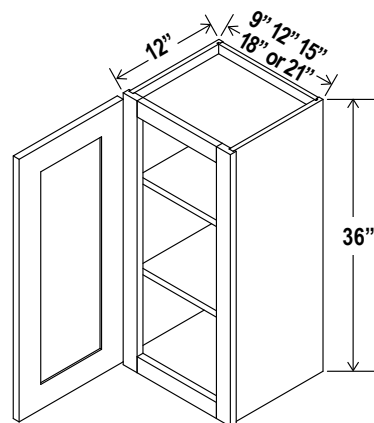
## Wall Cabinet Double Glass Doors, 30" H



W2430GD  
W3030GD

Clear glass included

## Wall Cabinet Single Door, 36" H

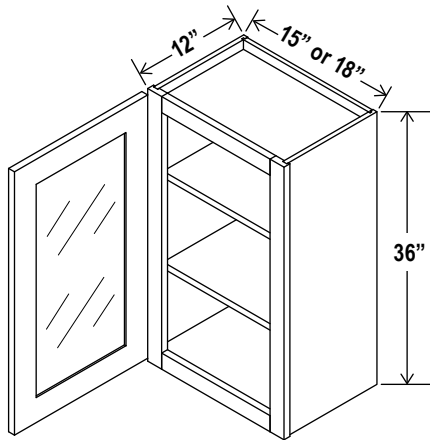


W0936  
W1236  
W1536  
W1836  
W2136

Clear glass included

# Wall Cabinet Specifications

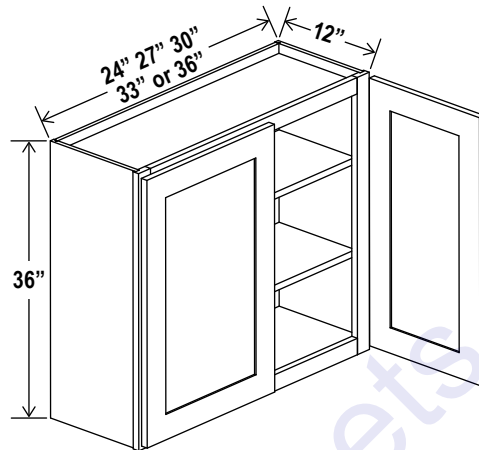
## Wall Cabinet Single Glass Door, 36" H



W1536GD  
W1836GD

Clear glass included

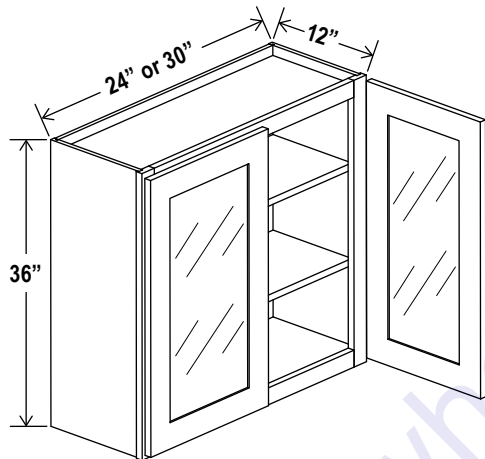
## Wall Cabinet Double Doors, 36" H



W2436  
W2736  
W3036  
W3336  
W3636

Two adjustable shelves

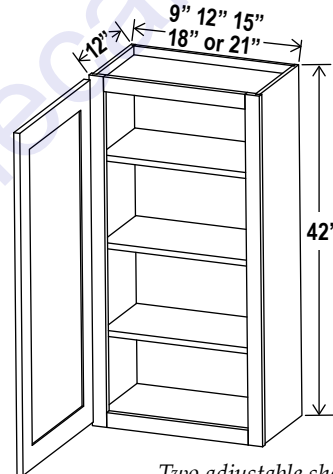
## Wall Cabinet Double Glass Doors, 36" H



W2436GD  
W3036GD

Clear glass included

## Wall Cabinet Single Door, 42" H



W0942  
W1242  
W1542  
W1842  
W2142

Two adjustable shelves

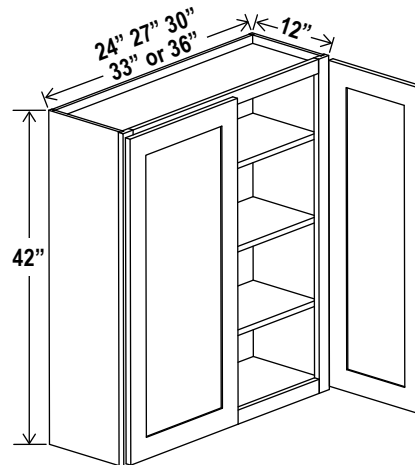
## Wall Cabinet Single Glass Door, 42" H



W1542GD  
W1842GD

Clear glass included

## Wall Cabinet Double Doors, 42" H



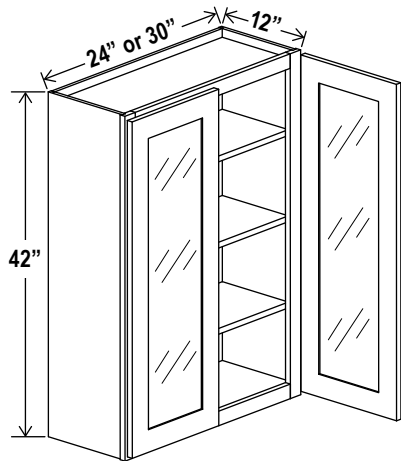
W2442  
W2742  
W3042  
W3342  
W3642

Three adjustable shelves

# Wall Cabinet Specifications

Wall Cabinets

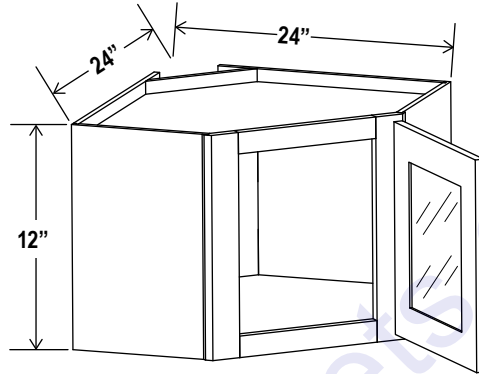
## Wall Cabinet Double Glass Doors, 42" H



W2442GD  
W3042GD

Clear glass included

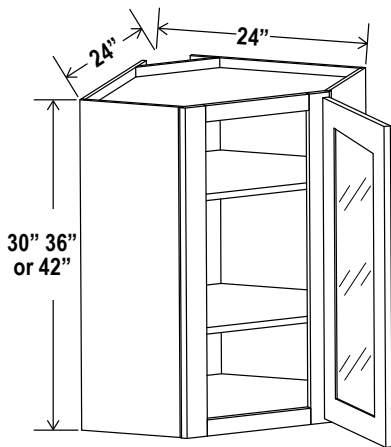
## Diagonal Corner Wall Glass Door



DCW2412GD

Clear glass included

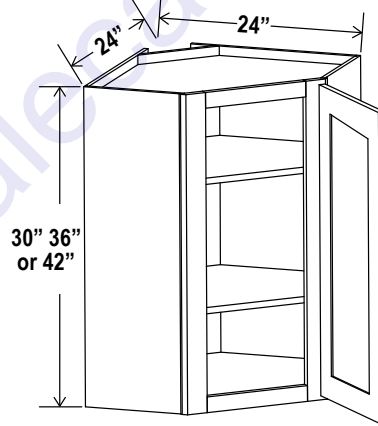
## Diagonal Corner Wall Glass Door



DCW2430GD  
DCW2436GD  
DCW2442GD

Clear glass included

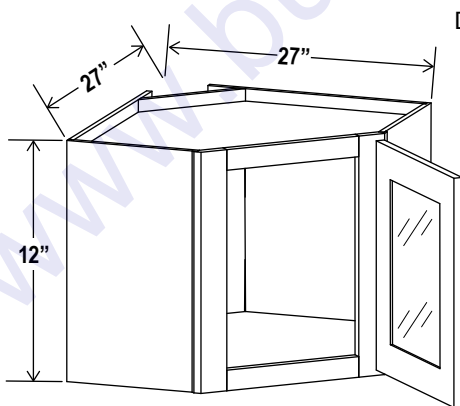
## Diagonal Corner Wall Single Door



DCW2430  
DCW2436  
DCW2442

Two adjustable shelves

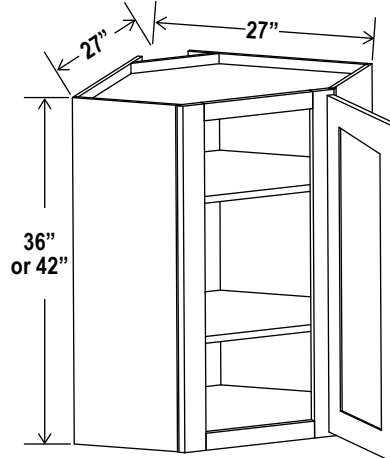
## Diagonal Corner Wall Glass Door



DCW2712GD

Clear glass included

## Diagonal Corner Wall Single Door



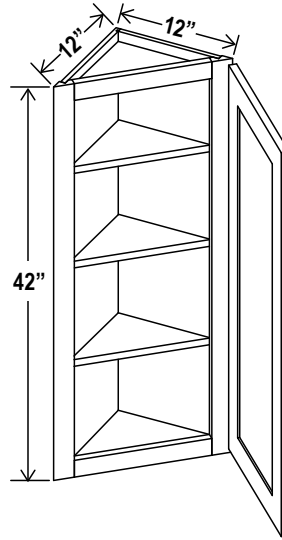
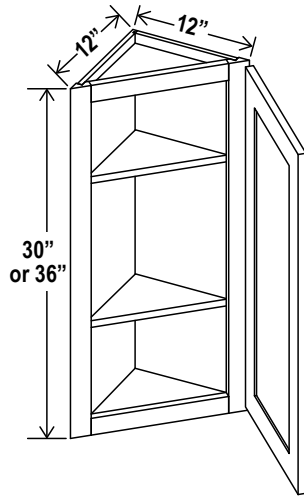
DCW2736  
DCW2742

Two adjustable shelves



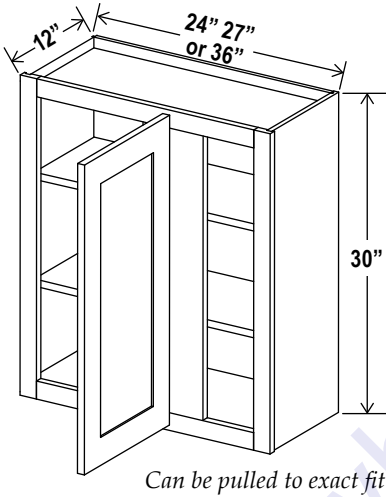
# Wall Cabinet Specifications

## Angle Wall Cabinet



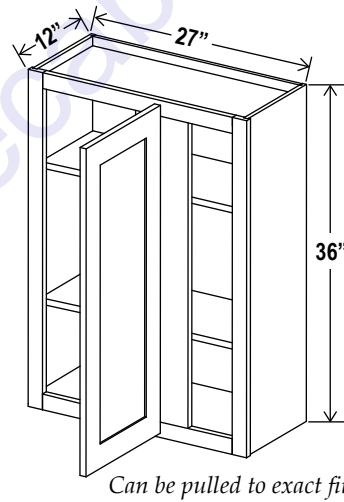
AW1230  
AW1236  
AW1242

## Wall Blind Corner Cabinet, 30" H



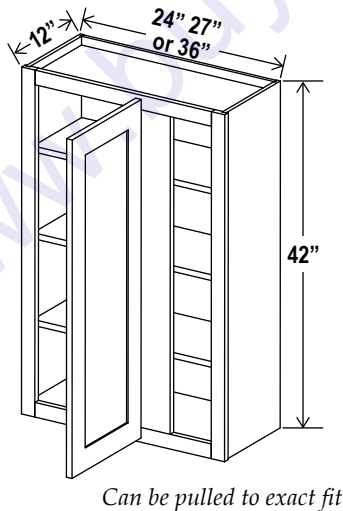
WBC2430  
WBC2730  
WBC3630

## Wall Blind Corner Cabinet, 36" H



WBC2736

## Wall Blind Corner Cabinet, 42" H

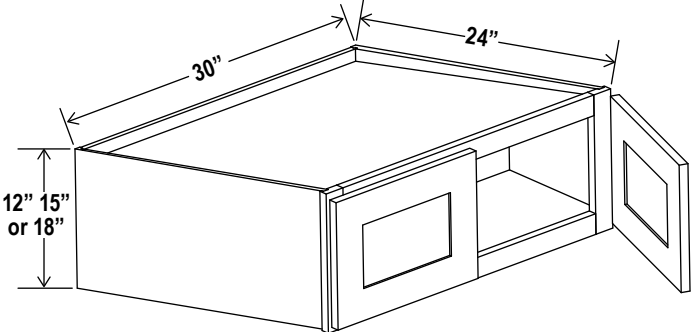


WBC2442  
WBC2742  
WBC3642

# Wall Cabinet Specifications

Wall Cabinets

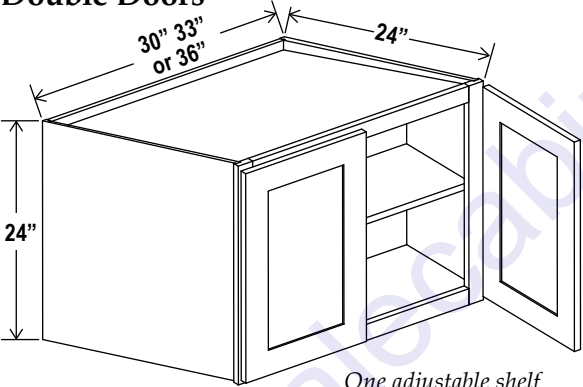
## Refrigerator Wall Cabinet Double Doors



- W301224
- W301524
- W301824

No shelf

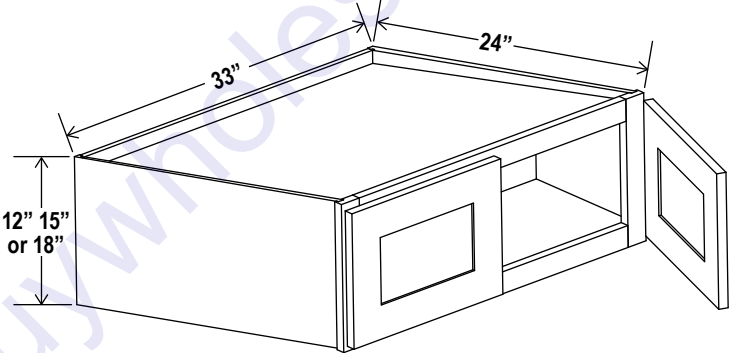
## Refrigerator Wall Cabinet Double Doors



- W302424
- W332424
- W362424

One adjustable shelf

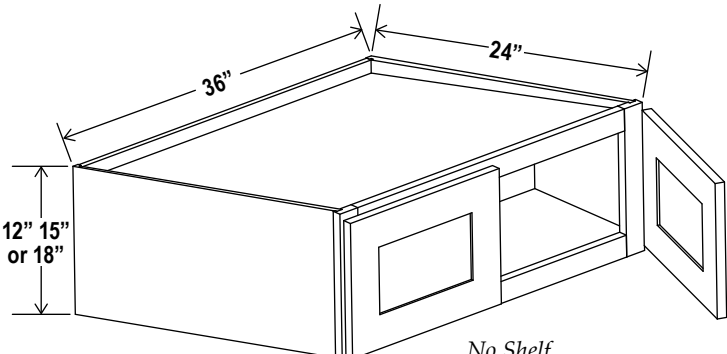
## Refrigerator Wall Cabinet Double Doors



- W331224
- W331524
- W331824

No Shelf

## Refrigerator Wall Cabinet Double Doors

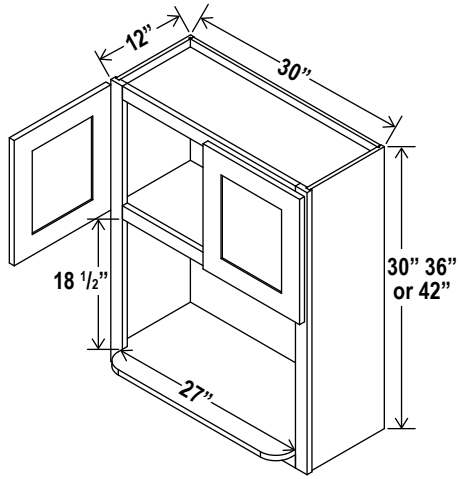


- W361224
- W361524
- W361824

No Shelf

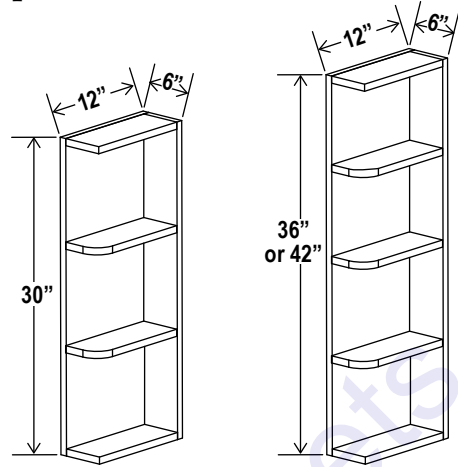
# Wall Cabinet Specifications

## Microwave Wall Cabinet



MO3030  
MO3036  
MO3042

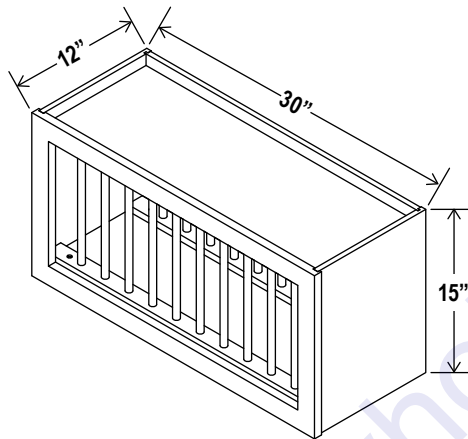
## Open End Shelf



OE630  
OE636  
OE642

Matching color interior

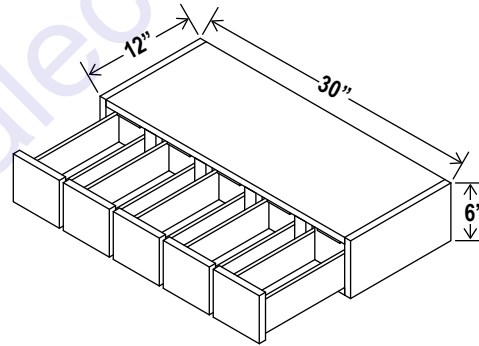
## Plate Rack



PR3015

10 plate slots

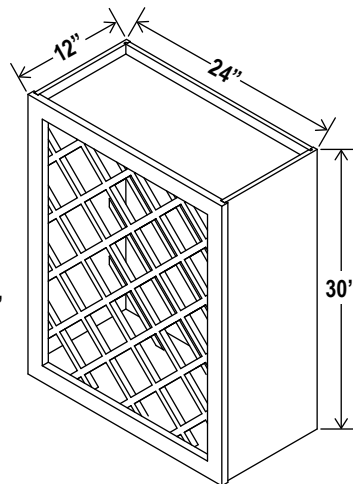
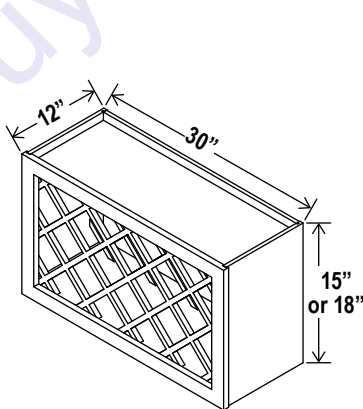
## Wall Spice Drawer



WSD630

5 drawers

## Wine Rack



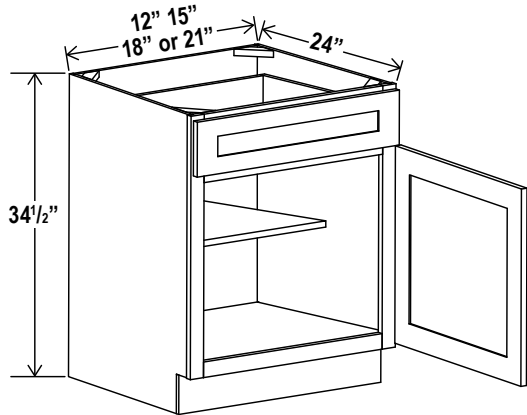
WRC3015  
WRC3018  
WRC2430

Can install vertically or horizontally

# Base Cabinet Specifications

Base Cabinets

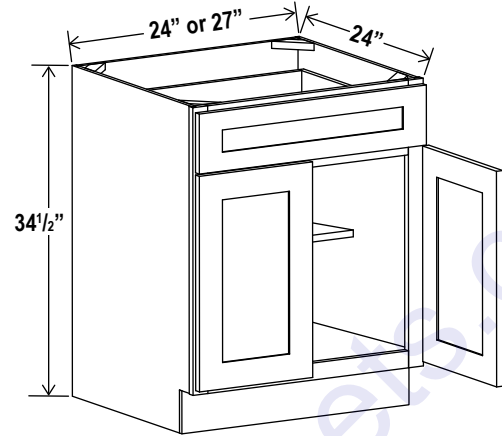
## Base Cabinet Single Door, 30" H



- B12
- B15
- B18
- B21

One drawer

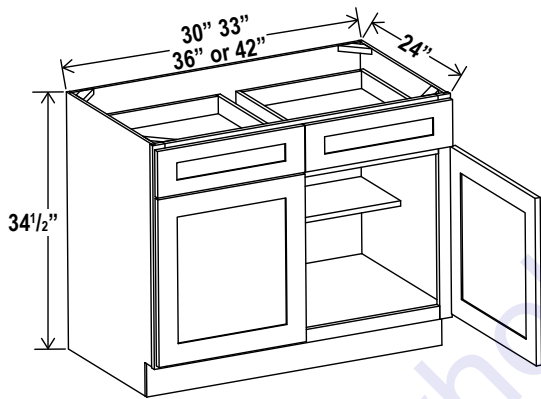
## Base Cabinet Double Doors



- B24
- B27

One drawer

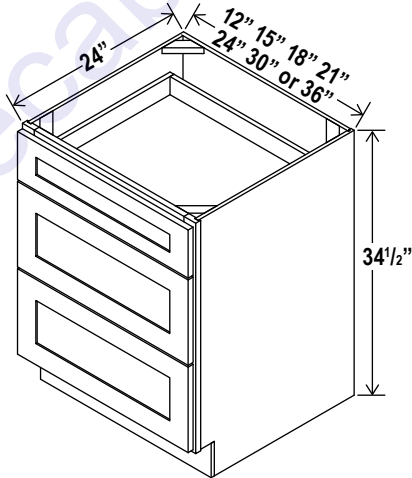
## Base Cabinet Double Doors



- B30
- B33
- B36
- B42

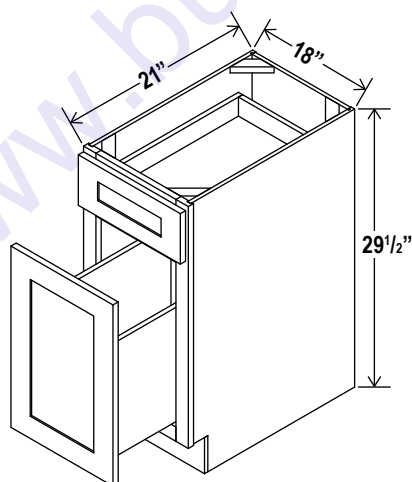
Two drawers

## Drawer Base



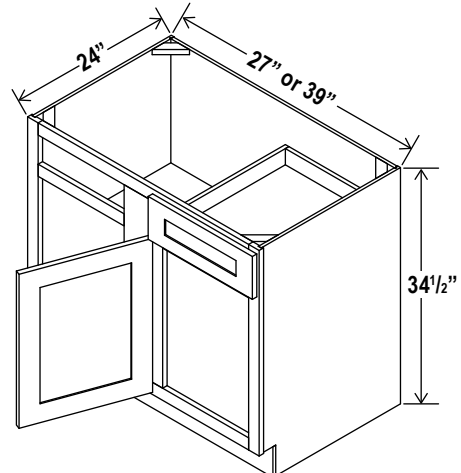
- 3DB12
- 3DB15
- 3DB18
- 3DB21
- 3DB24
- 3DB30
- 3DB36

## Document File Base Cabinet



- DFB18

## Blind Corner Base Cabinet



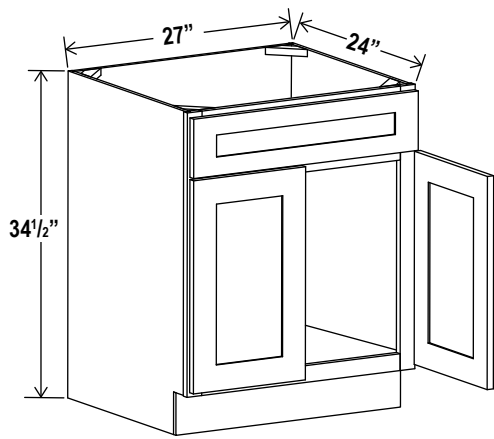
- BBC36
- BBC42

BBC36 install range 36"-42"  
BBC42 install range 43"-46"

# Base Cabinet Specifications

Base Cabinets

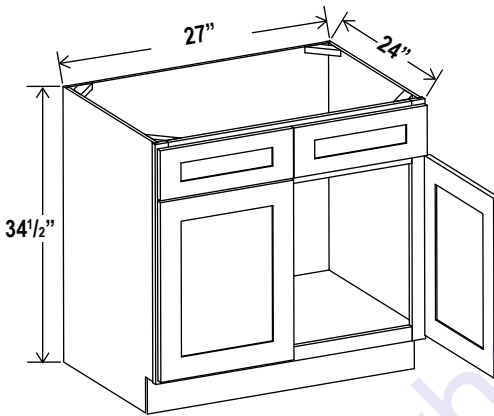
## Sink Base



SB27

One dummy drawer

## Sink Base



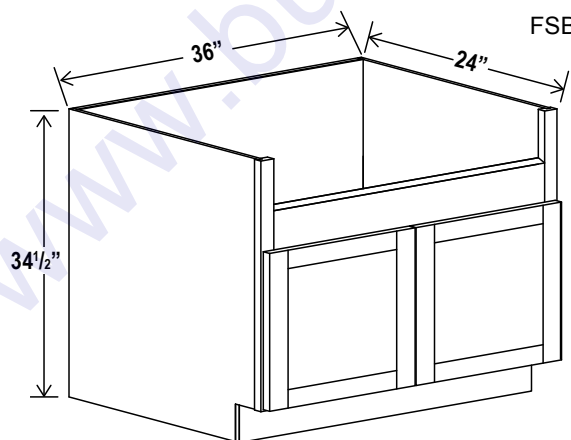
SB30

SB33

SB36

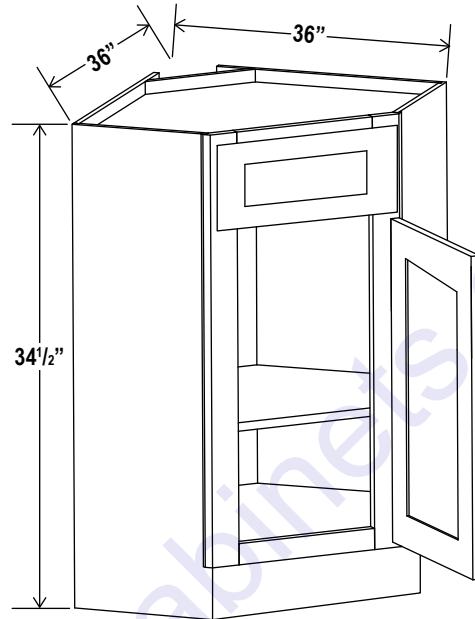
Two dummy drawers

## Farmhouse Sink Base



FSB36

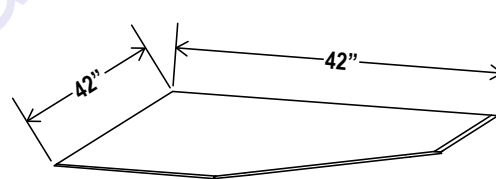
## Corner Sink Base Cabinet



CSB36

One dummy drawer

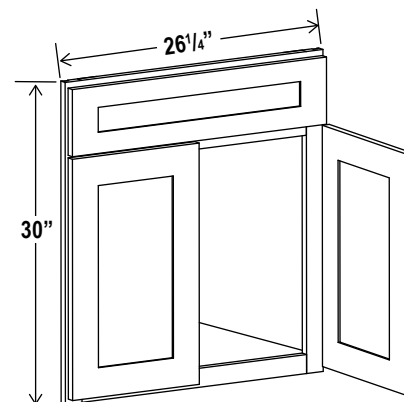
## Corner Sink Front Floor



SBF4242

For use with DCSF42

## Corner Sink Base Front

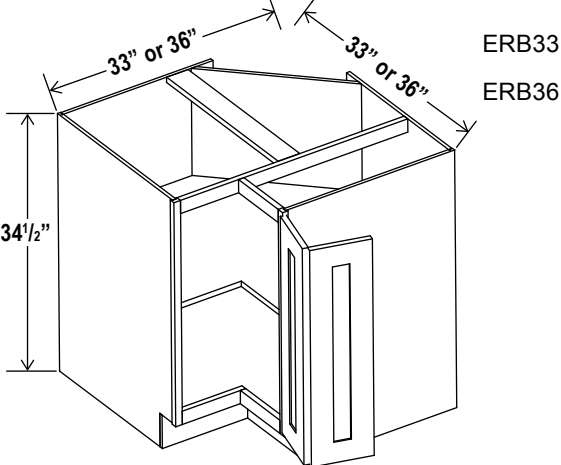


DCSF42

For use with SBF4242

# Base Cabinet Specifications

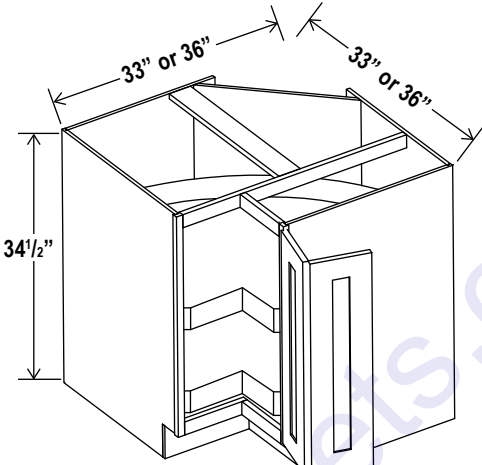
## Easy Reach Base Cabinet



ERB33  
ERB36

One bi-fold door

## Lazy Susan Cabinet

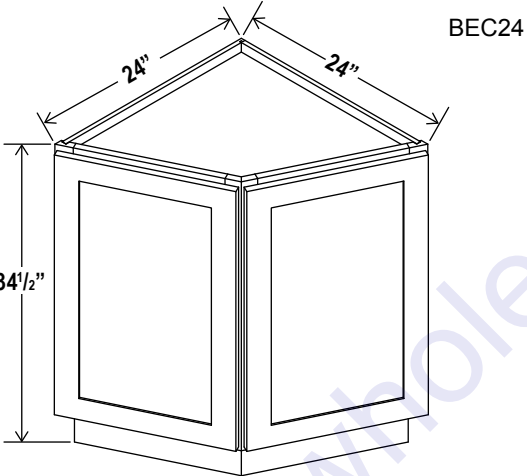


LSB33-W  
LSB36-W  
LSB33-C  
LSB36-C

-W: Two wooden trays -C: Two chrome trays

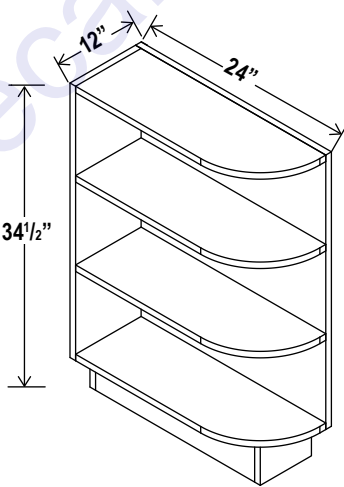
Base Cabinets

## Base End Cabinet



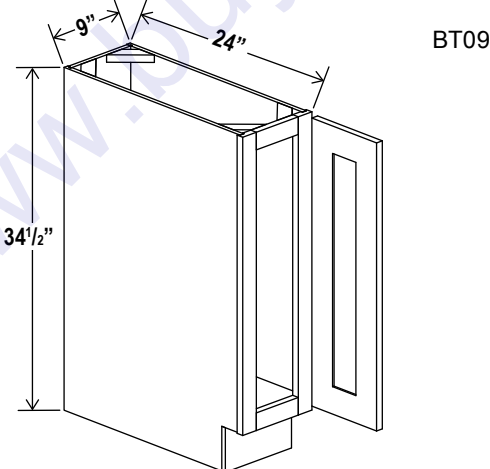
BEC24

## Base End Shelf



BES12

## Base Tray



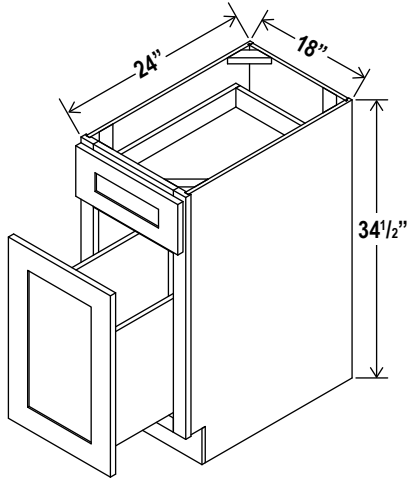
BT09

# Base Cabinet Specifications

Base Cabinets

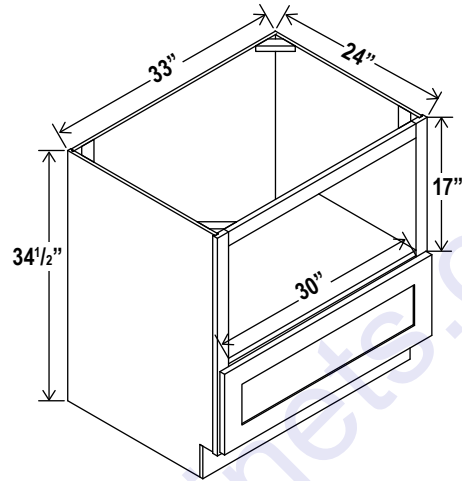
### Base Waste Basket Cabinet

BWB18



### Microwave Base Cabinet

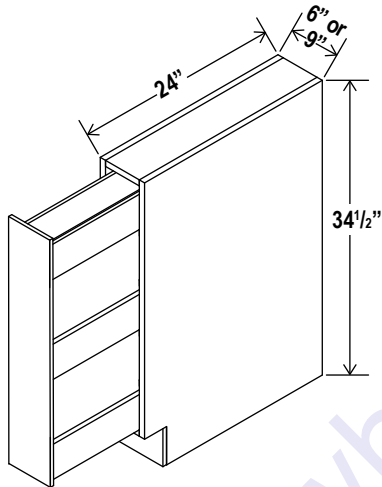
MB33



### Spice Pull Base Cabinet

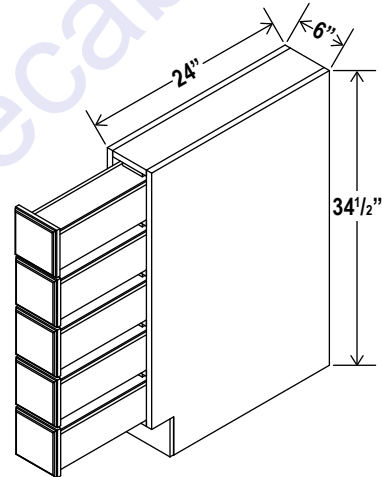
SPB6

SPB9



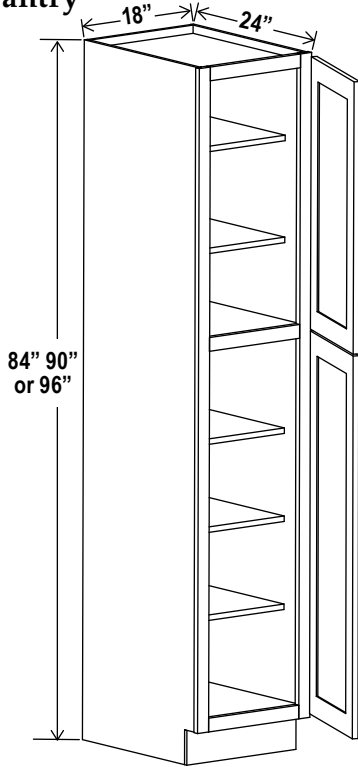
### Base Spice Drawer

BSDC6



# Tall Pantry Cabinet Specifications

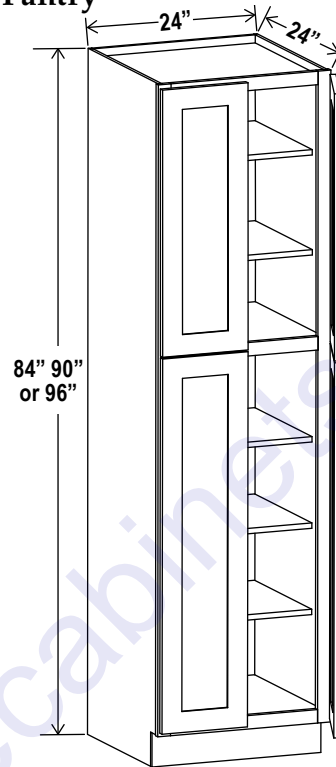
## Utility Pantry



U188424  
U189024  
U189624

Two adjustable top shelves • Three bottom shelves  
Note: Roll out shelf kits available for utility cabinets. See page 24.

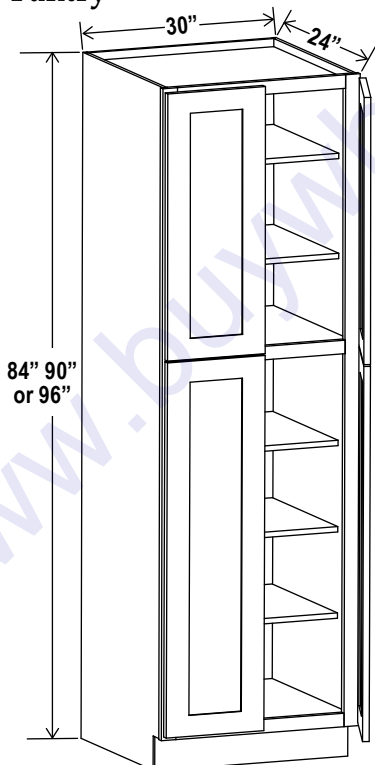
## Utility Pantry



U248424  
U249024  
U249624

Two adjustable top shelves • Three bottom shelves  
Note: Roll out shelf kits available for utility cabinets. See page 24.

## Utility Pantry



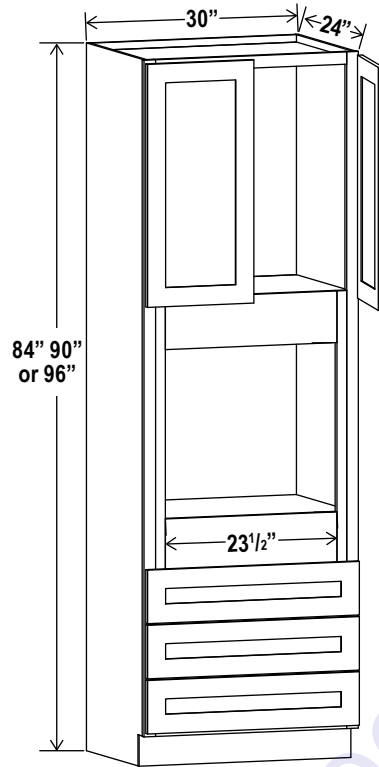
U308424  
U309024  
U309624

Two adjustable top shelves • Three bottom shelves  
Note: Roll out shelf kits available for utility cabinets. See page 24.



# Tall Pantry Cabinet Specifications

## Oven Pantry



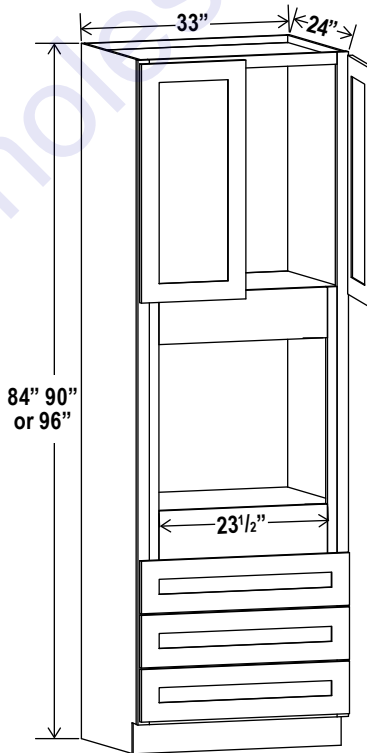
O308424

O309024

O309624

Two doors • One large open shelf • Three bottom drawers  
Note: Drawers may be removed to accommodate double ovens.

## Oven Pantry



O338424

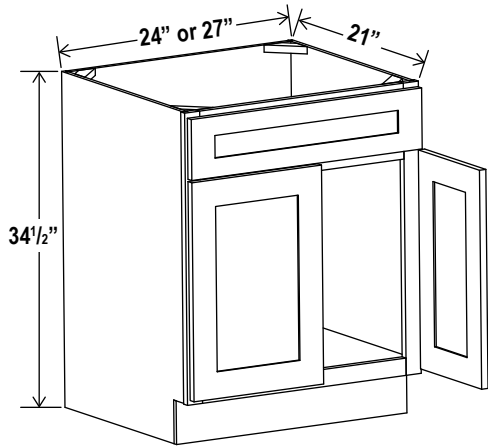
O339024

O339624

Two doors • One large open shelf • Three bottom drawers  
Note: Drawers may be removed to accommodate double ovens.

# Vanity Cabinet Specifications

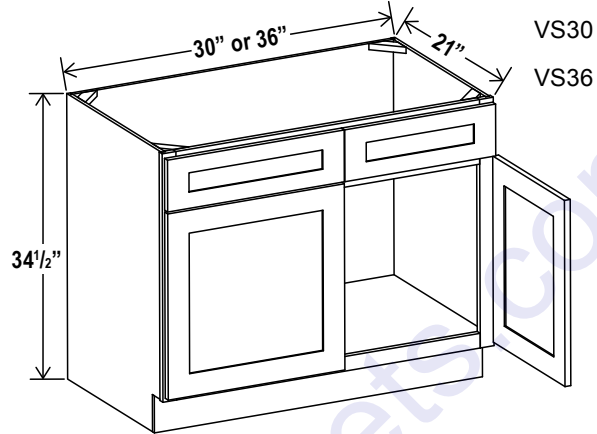
## Vanity Sink Base



1 dummy drawer

VS24  
VS27

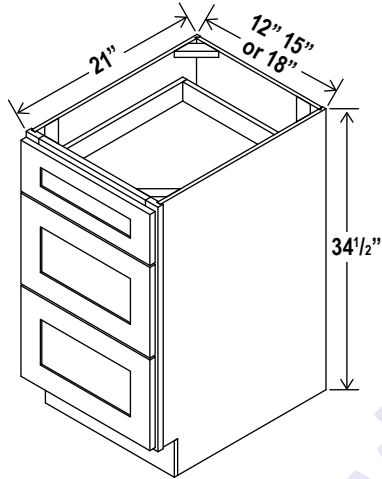
## Vanity Sink Base



Two dummy drawers

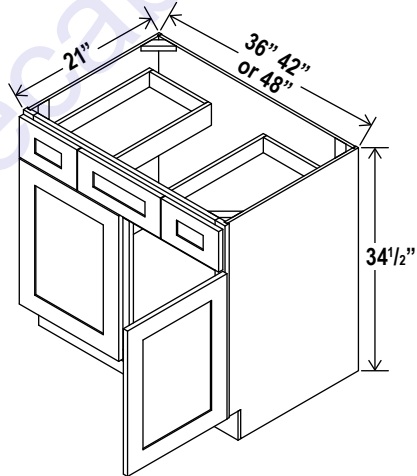
VS30  
VS36

## Vanity Drawer Base Cabinet



3VDB12  
3VDB15  
3VDB18

## Vanity Combo



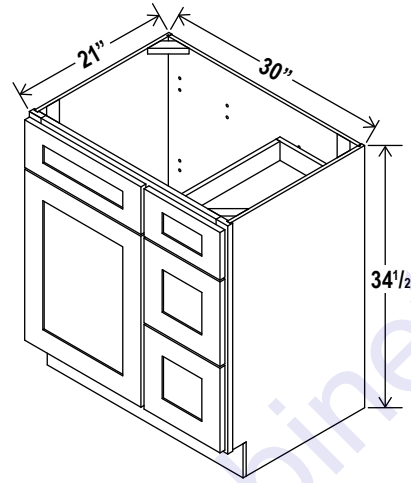
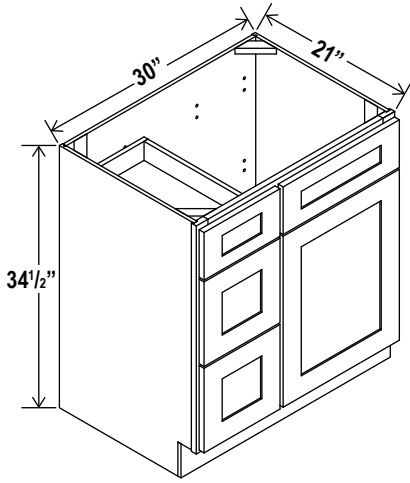
VSD36  
VSD42  
VSD48

# Vanity Cabinet Specifications

## Vanity Combo

V3021DL

V3021DR

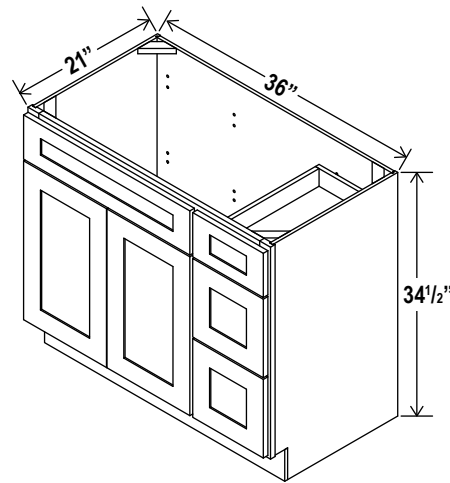
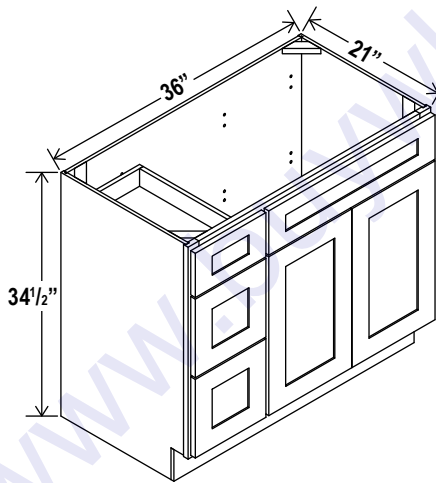


V3021DL: 30" combo with drawers on left • V3021DR: 30" combo with drawers on right

## Vanity Combo

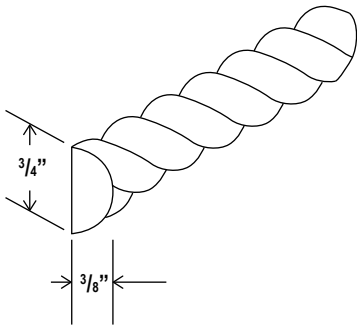
V3621DL

V3621DR



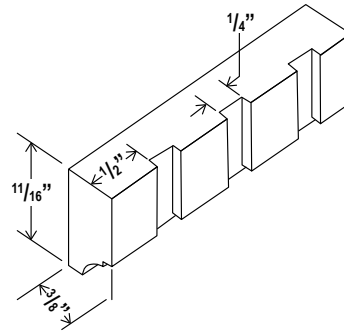
V3621DL: 36" combo with drawers on left • V3621DR: 36" combo with drawers on left right

**Rope Moulding**



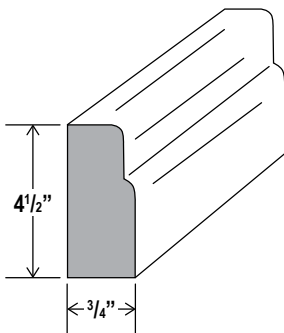
ROPE

**Dentil Moulding**



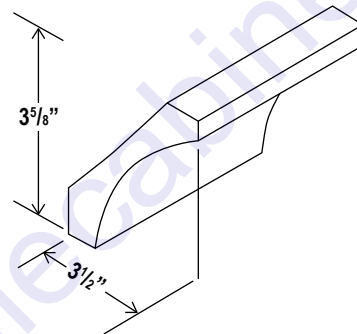
DMTIS

**Furniture Base**



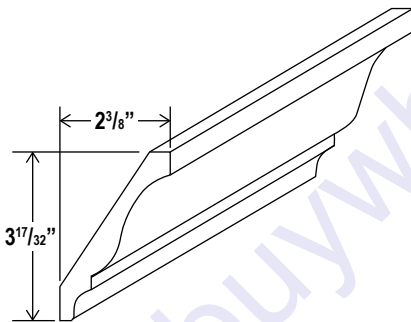
FBM

**Cove Crown Moulding**



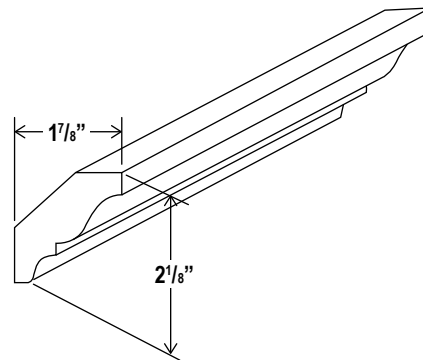
COV

**Decorative Moulding**



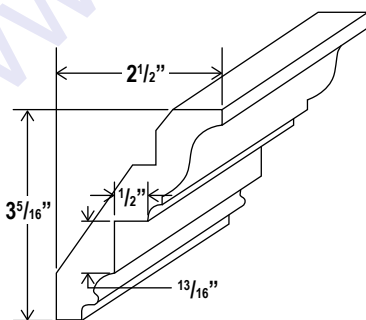
BCM8(DCM)

**Crown Moulding**



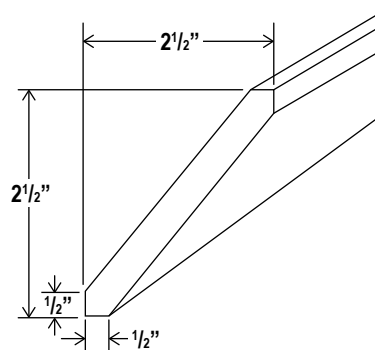
CM8

**Inset Crown Moulding**



RCM4S(LCM)

**Angle Crown Moulding**

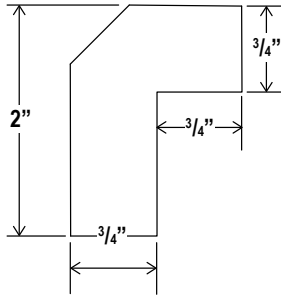


ACM8

# Moulding

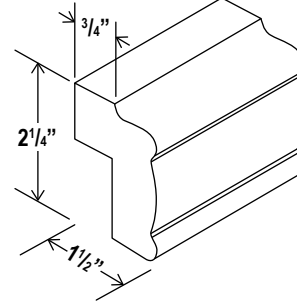
**Angle Light Rail Moulding**

ALRM8



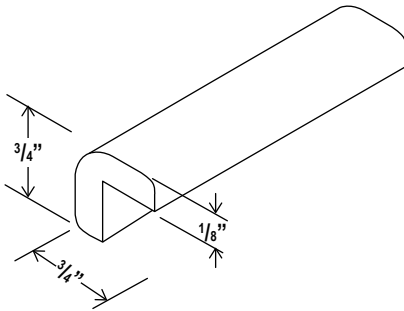
**Light Rail Moulding**

LRM8



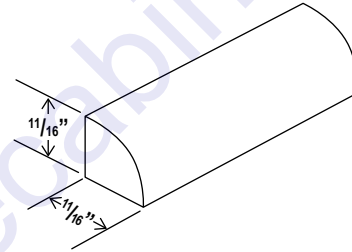
**Outside Corner Moulding**

OCM8



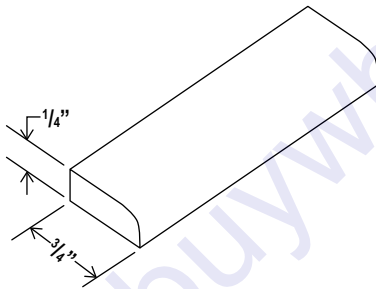
**Shoe Moulding**

SHM



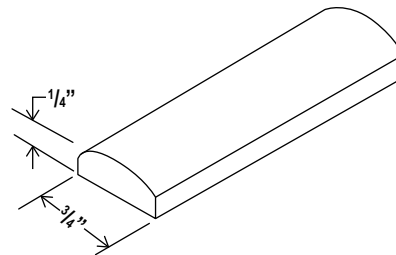
**Scribe Moulding**

SM8(SCR)



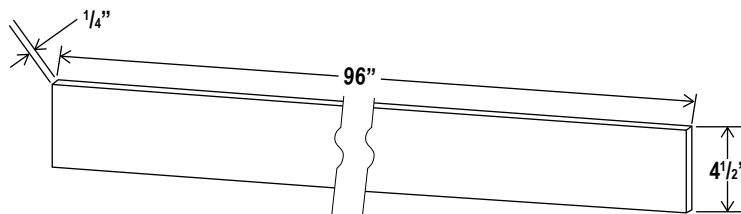
**Batten Moulding**

BAM



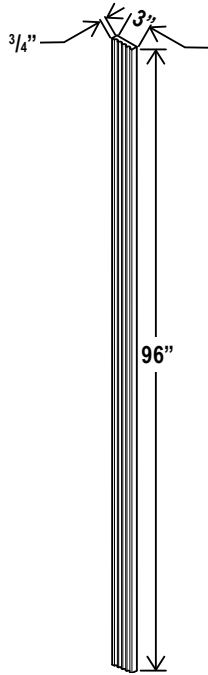
**Toe Kick**

TKC



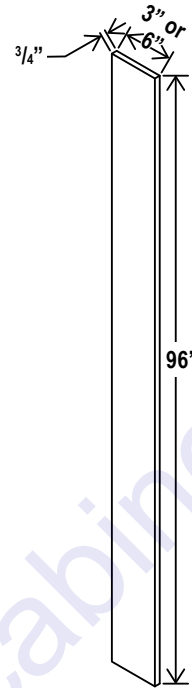
# Fillers & Panels

**Tall Fluted Filler**



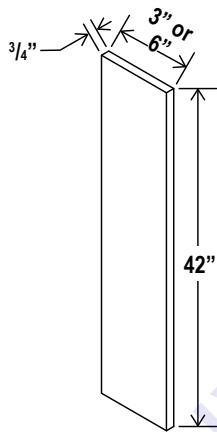
FF396

**Tall Filler**



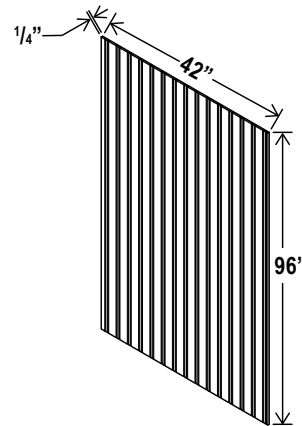
F396  
F696

**Filler**



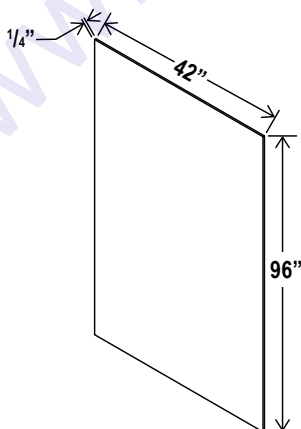
F342  
F642

**Bead Board Panel**



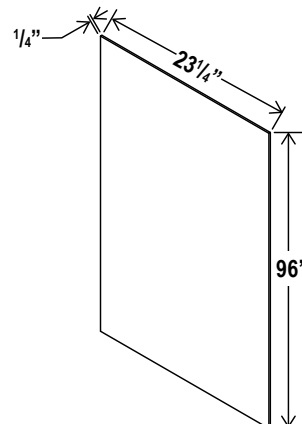
BBFPV4296

**Finish Plywood Panel**



FPV4296

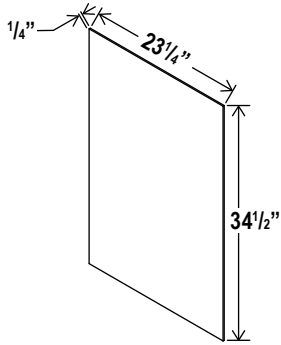
**Tall Skin Veneer Panel**



USV2496

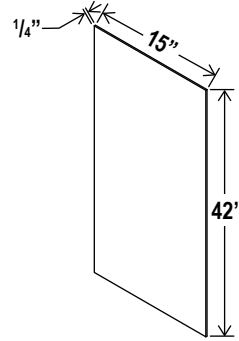
# Fillers & Panels

**Base Skin Veneer Panel**



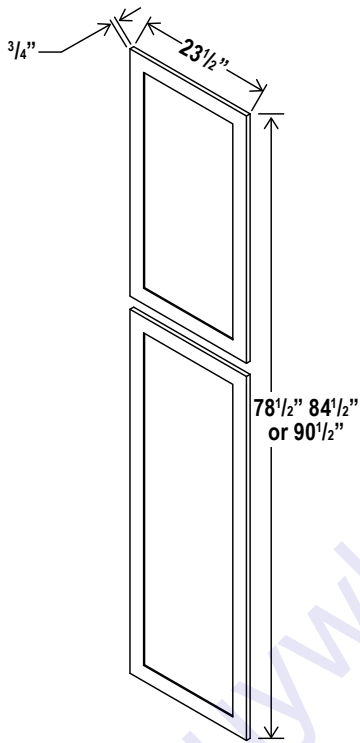
BSV

**Wall Skin Panel**



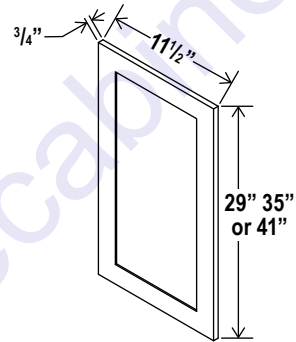
WSV42

**Tall Decorative Door Panel**



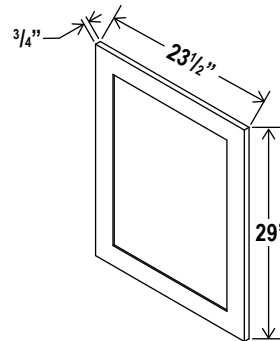
TDEP2484  
TDEP2490  
TDEP2496

**Wall Decorative Door Panel**



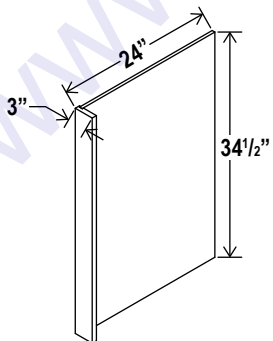
WDEP30  
WDEP36  
WDEP42

**Base Decorative Door Panel**



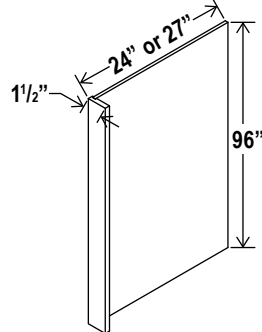
BDEP

**Dishwasher Return Panel**



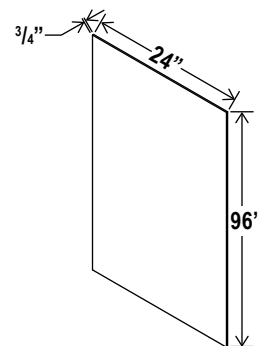
DWR3

**Refrigerator End Panel**



REPV2496  
REPV2796

**Shelf Board**



S2496

*Finished on both sides*

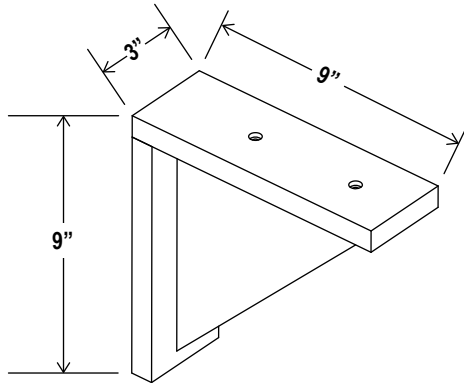
*Finished on both sides*

*Finished on both sides*

Fillers & Panels

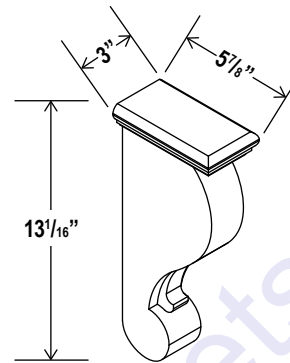
Corbel

CB9



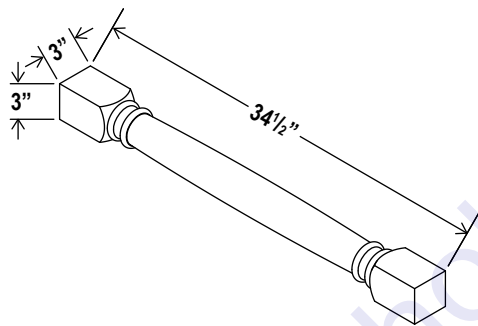
Corbel

CBT



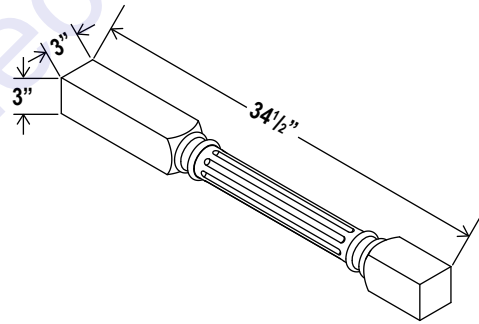
Classic Decorative Leg

CLDL



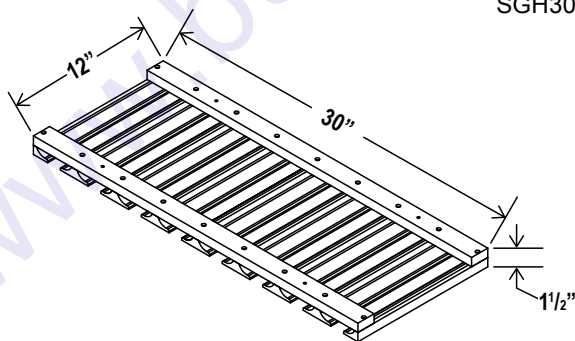
Fluted Decorative Leg

FLDL



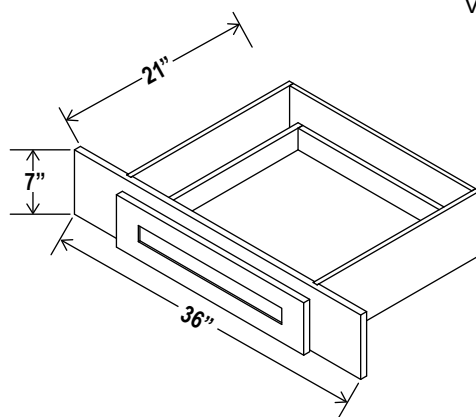
Glass Holder

SGH30



Knee Drawer

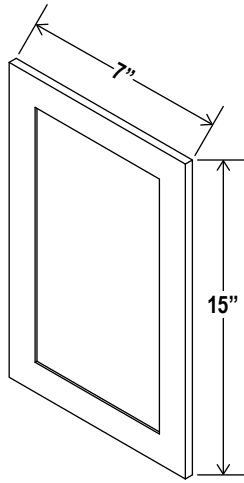
VKD36





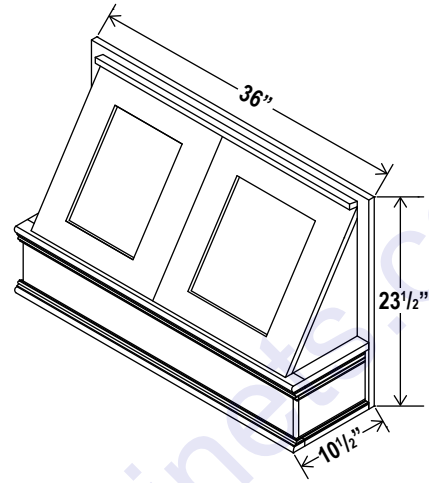
# Accessories

## Sample Door



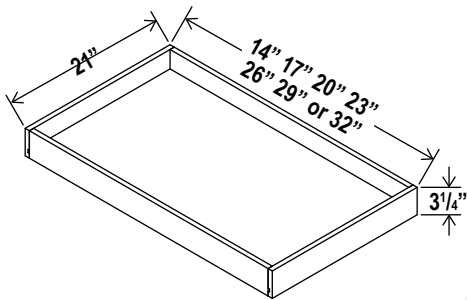
SD

## Hood



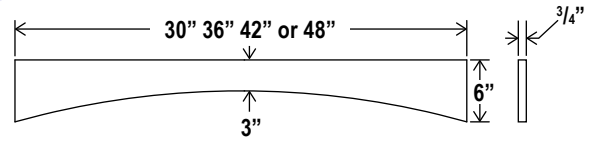
Hood

## Roll Out Tray



- RS18
- RS21
- RS24
- RS27
- RS30
- RS33
- RS36

## Arched Valance



- VA30
- VA36
- VA42
- VA48



